

TKA CONSTRUCTION

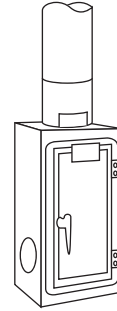
[Home](#)

TKA is an experienced installer of **Air Link International** pneumatic tube systems. Air Link manufactures pneumatic tube systems for hospital, pharmacy, and clinical laboratory needs for fast, safe and dependable delivery of drugs and specimens to patient wards, surgery, and emergency or laboratory. Contact [TKA Construction](#) today for a detailed analysis of how we can help you communicate better.

Point to Point: 25 ft. per sec. up to 400 ft. PVC or steel tubing dedicated between 2 points.

Applications:

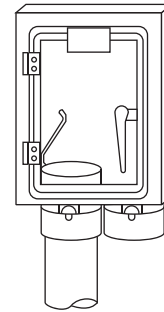
- hospital lab and pharmacy
- warehouses
- auto agencies
- hotels
- restaurants



Semi Automatic: single master station to and from up to 20 substations; microprocessor and computer controlled.

Applications:

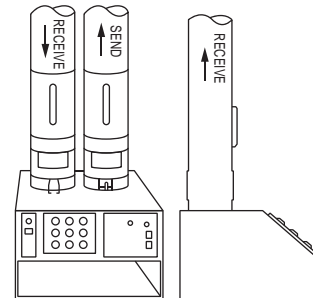
- manufacturing
- truck terminals
- hospital lab (blood and specimens)
- hospital pharmacy
- offices
- government buildings
- correctional facilities



Fully Automatic: any station to send and receive from any other; PC computer controlled.

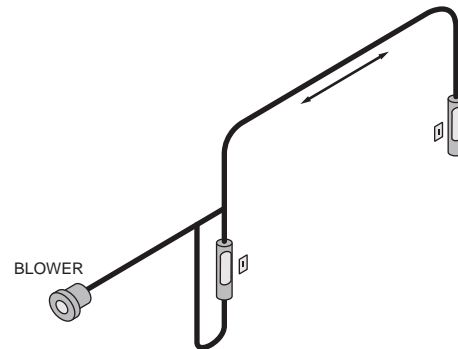
Applications:

- healthcare
- large distribution centers
- aerospace
- government
- correctional facilities



Other Available Services

- Complete Parts Inventory
- Carriers
- Design Assistance
- Emergency and Scheduled Service Available



SINGLE TUBE REVERSING

Air Link

1189-A, N. Grove St.
Anaheim, CA 92806
Ph: (714) 632-3020
Fax: (714) 632-3621
www.airlinkint.com